

MANUAL CALL POINT ABS MODEL NO- C-100-AM



Agni Protection modern stylish manual call point made of ABS as per the IS standards its designed to provide manual fire reporting. The low-profile design provides aesthetic appeal that allows it to blend in with today's modern architectural styles.

All the MCP comes with a factory fitted back box for Surface or Semi flush mounting on the wall.

MCP ideal where emergency situations are identified and require an immediate evacuation.

To operate the MCP push the Fire Switch Steady Glow of Red LED will indicate the activation of MCP. TO reset the MCP open the front cover & Push the Reset Switch.

Features and Benefits :

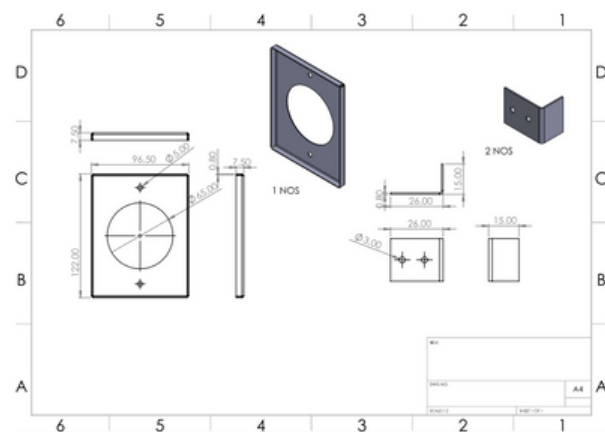
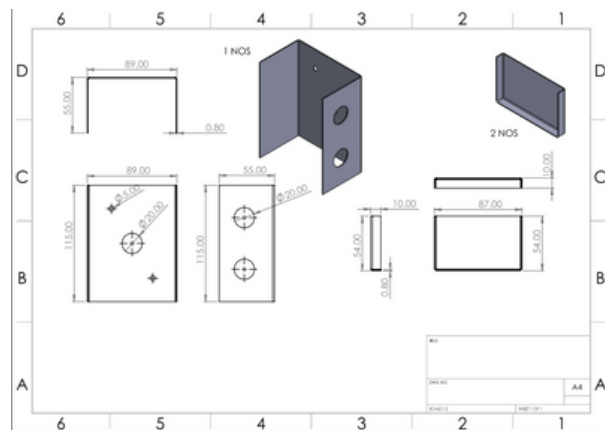
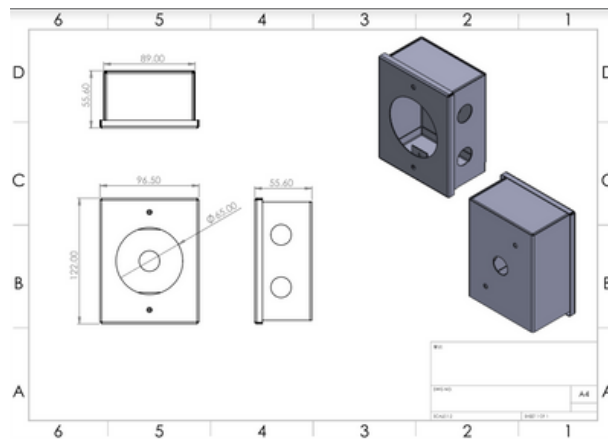
- Compatibility with any conventional fire Alarm System
- Wall mount facility
- Dual LED on front Steady RED LED at fire condition
- Red LED blinking at normal condition (optional)
- Safe and Reliable.
- Front Protection Glass,
- Fully Confirm iS 2189.
- Resettable facility.

+91-8527498960, 8527498961, 8527498962

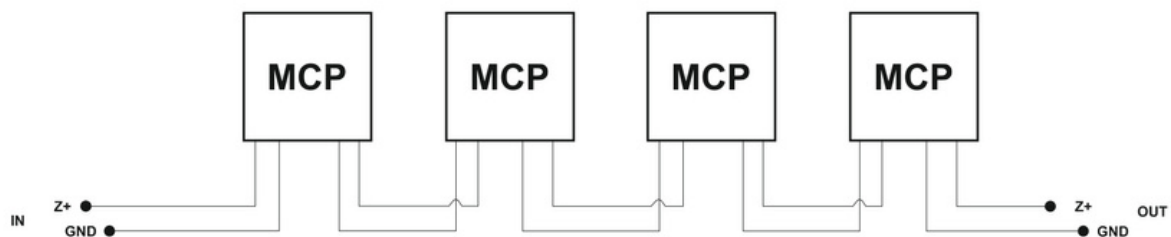
sales@agniprotection.com, support@agniprotectionindia.com

www.agniprotection.com

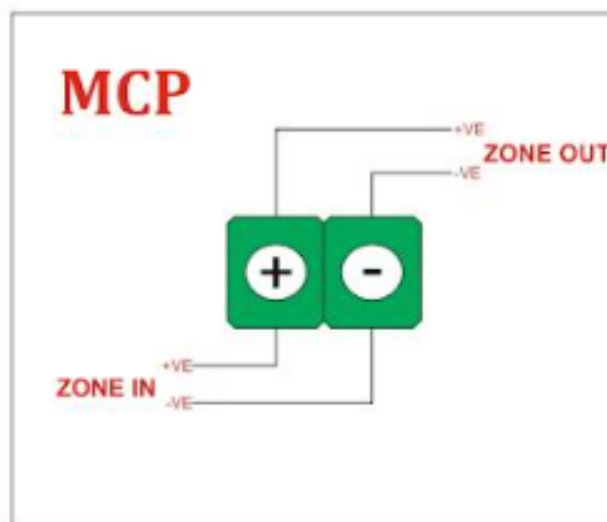
MECHANICAL DIAGRAM:



WIRING DIAGRAM:



CONNECTION DIAGRAM:





An ISO 9001-2008 Certified Co.
AGNI PROTECTION PVT. LTD.
DATASHEET

ELECTRICAL SPECIFICATION

Operating Voltage 18-24V DC
Current Consumption in fire 30mA@24 VDC
condition Standby Current 60 uA

ENVIRONMENTAL INFORMATION:

Operating Temperature 0° C to + 65° C
Operating Humidity 5 to 95% Relative Humidity (non- condensing)

MECHANICAL SPECIFICATION:

Dimension W X H XD 100 X 95 X55
(MM) Weight 100 Gram
Colour Red
Housing ABS

ORDERING INFORMATION:

MODEL NO	PACK QTY.	DIMESION (WXHXD) MM	WEIGHT
C-100AM	1	95X90X55	100 Gm

APPROVED BY:



+91-8527498960, 8527498961, 8527498962
sales@agniprotection.com, support@agniprotectionindia.com
www.agniprotection.com